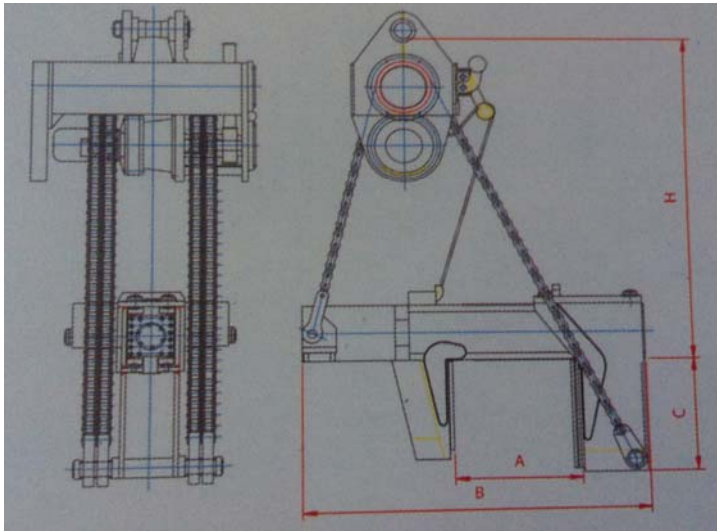


***Deseen International***  
**Electric rotary mode coil clamp**

---

**ELECTRIC ROTARY MODE COIL CLAMP**

**Technical Parameters**



WLL	Coil inner Diameter	Coil outer Diameter	A	B	C	H
15T	610mm	2000mm	120-700mm	2300mm	800mm	2800mm
30T	762mm	2150mm	120-850mm	2500mm	900mm	3600mm
40T	762mm	2150mm	120-850mm	2570mm	1000mm	3600mm

**Main components of the clamp:**

Rotating lifting bodies, bodies flip, flip beams, dynamic clamp legs, cycloid devices, electric and components control systems.

**Places of using:**

1. The electric rotary mode coil clamp is used to lift vertical coil, rotate 90 degrees, then discharge coils on the ground as horizontal. Or lift the horizontal coil, rotate 90 degrees, then load coils on the vehicles as vertical.
2. Widely used in steel factory, for steel coils and line handling, storage terminals, stacking, cars and so on the train shipment, to achieve change horizontal or vertical coil horizontal vertical change of functions, improve the efficiency of the shipment.

**Advantages:**

1. More efficiency: lifting, rotation and loading/discharging continuous fulfill one time, greatly improve work efficiency 3-5 times.
2. Saving device investment: one less crane used, only using one set electric rotary mode coil clamp fulfills coil from vertical and horizontal to exchange, at least two workers are saved.
3. Occupying less space: proper height, no harm to slab, suit to different working environment.
4. The rotary mechanism may revolve willfully in 0-180 degrees scopes, may also carry on the special design according to the customer request.

We also supply lifting clamp for steel plate, steel bar, if there is any requirement, please contact us.

*Deseen International*  
Electric rotary mode coil clamp

---





*Deseen International*  
**Electric rotary mode coil clamp**

---



**Research-design-manufacture-testing**



*Deseen International*  
**Electric rotary mode coil clamp**

---

**Other types clamps for steel plate, steel bar.**



We can design and manufacture lifting clamp for steel plate, steel bar as per customer's request.